

Filter Shield

Filter Shield™

'not all blockages are caused by Fats, Oils & Grease'

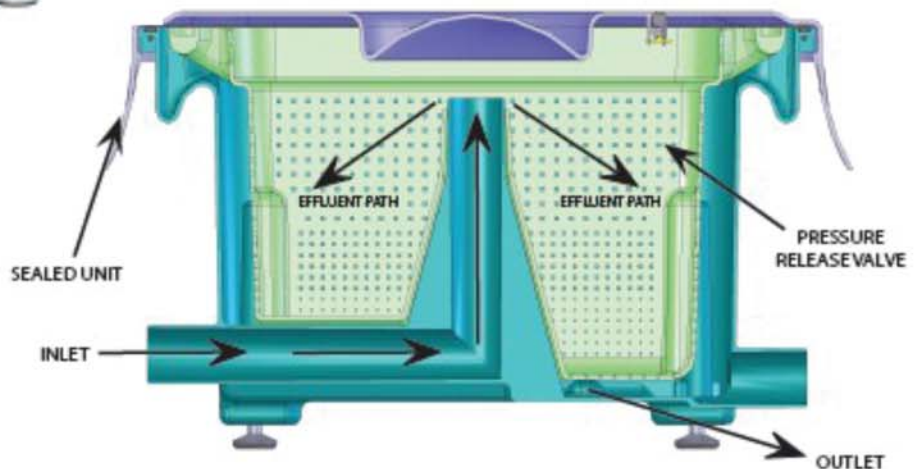


Café's
Coffee Shops
Deli's

Commercial Kitchens
Pot-wash & Pre-rinse Sinks
Vegetable Prep Sinks
Potato Rumbler/Peelers

Installed under sinks, the Filter Shield traps solid food waste.

The top of the Filter Shield must be at least 40mm below the bottom of the sink bowl or flow problems will result. A stand is available please ask for details.



Coffee Grinds



Potato Peelings



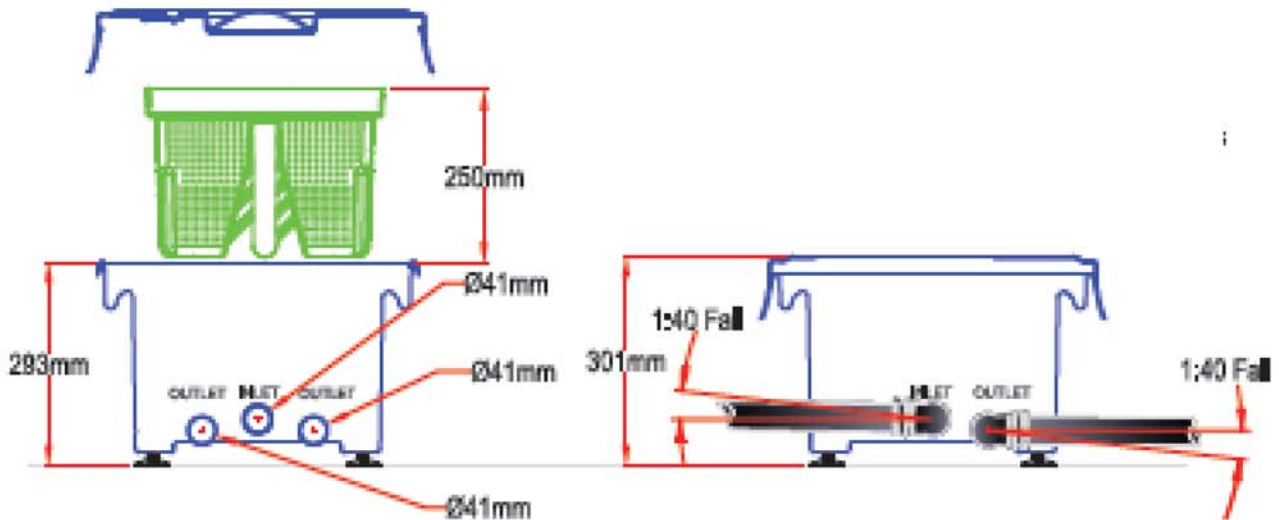
Vegetable Peelings



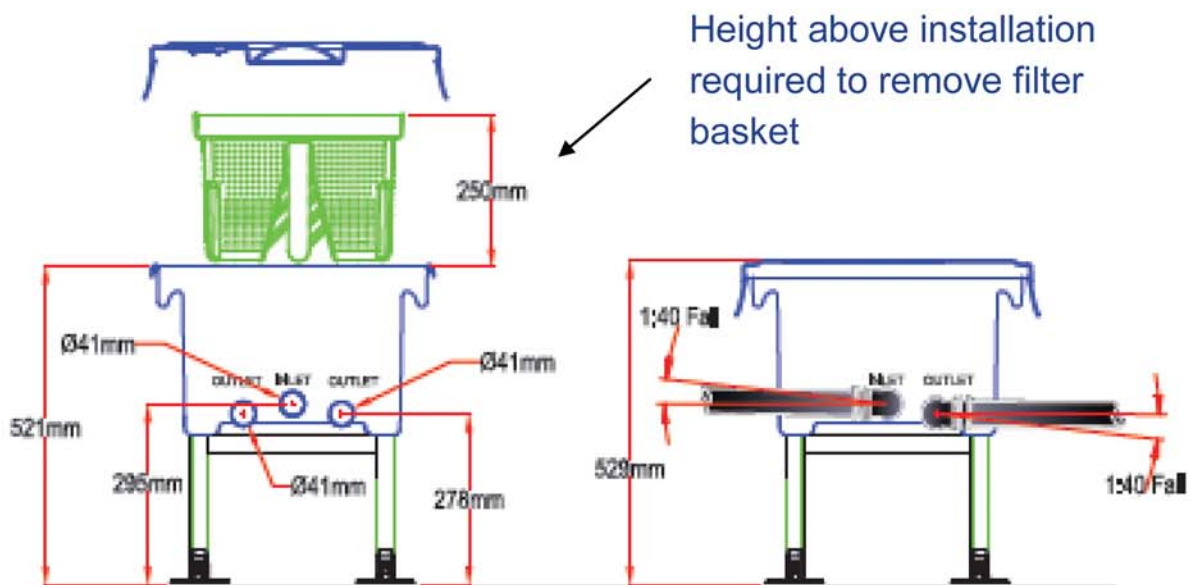
A combination of grease and dairy waste

Filter Shield

'not all blockages are caused by Fats,



Different filter mesh sizes are available, please call for details



NOTE—The Filter Shield must be installed with its lid 40mm below the bottom of the sink. Please call for further explanation.